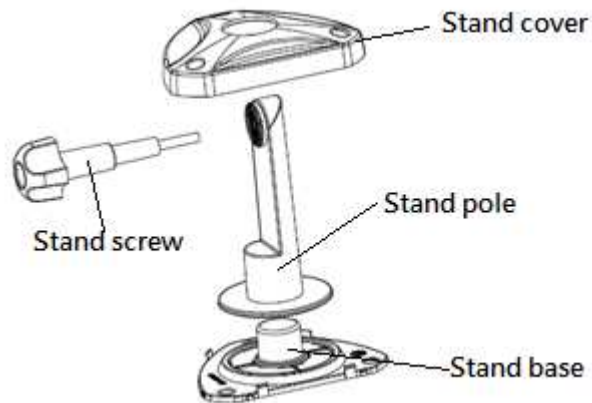
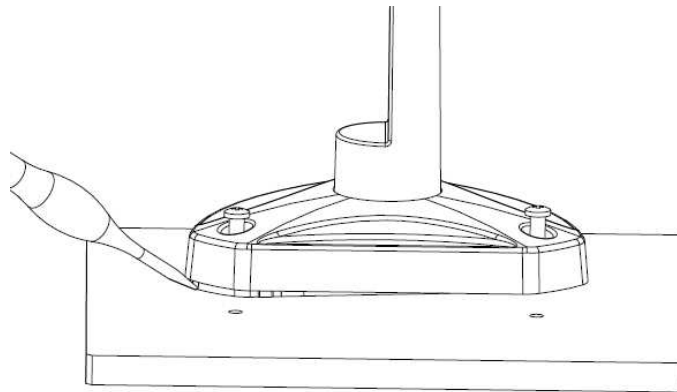


MOUNTING OF KFISH-7

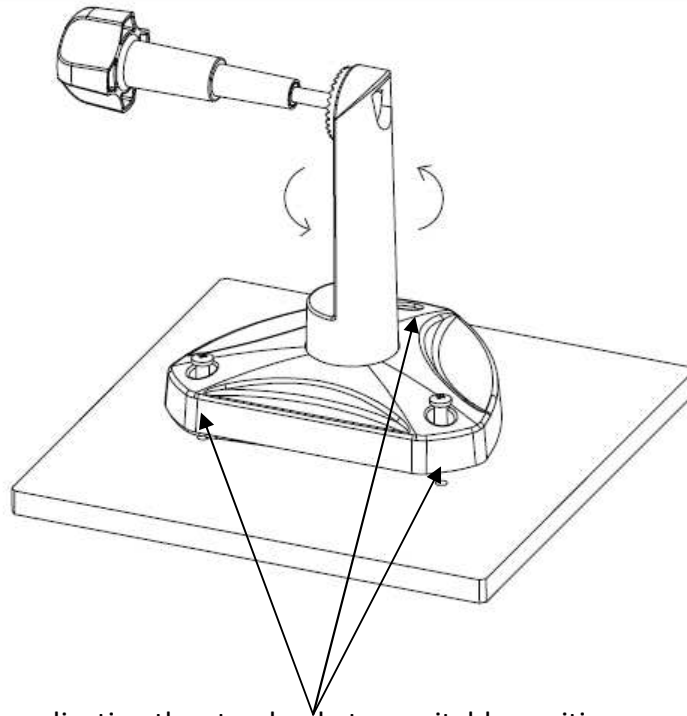
1. Assemble mounting stand as shown below:



2. Before fixing the mounting stand on a surface use a screw driver to lift up a little space on any corner of the stand cover as shown below:



3. Rotate the stand pole to a suitable position for mounting the KFish-7 display.



After adjusting the stand pole to a suitable position, you can now fix the stand by tightening the supplied screws.

4. You can mount your KFish-7 in three different ways as shown in Fig.1, Fig.2 and Fig.3 below.

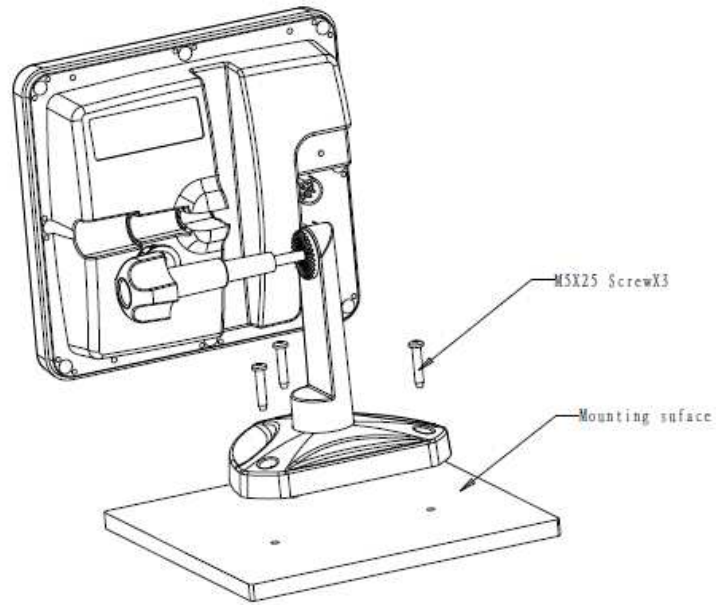


Fig.1 Desktop Mounting

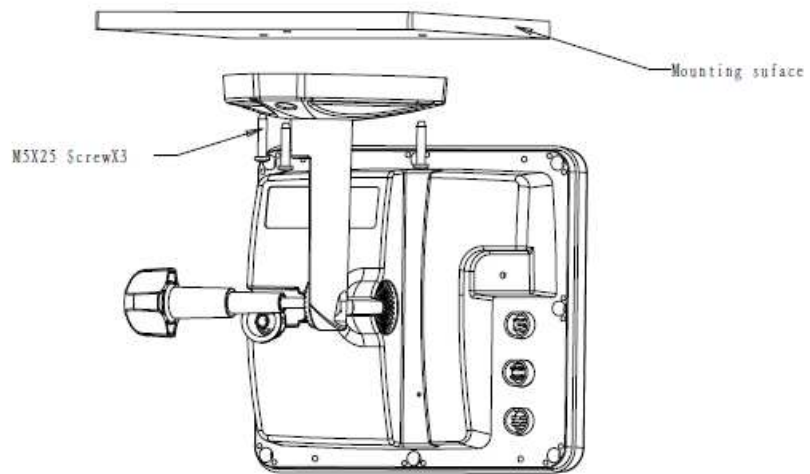


Fig.2 Inverted Mounting

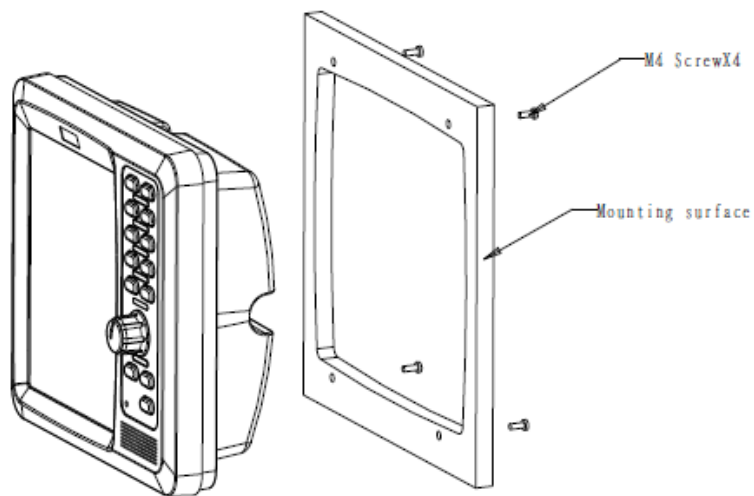


Fig.3 Panel Mounting